

REMOTE INSPECTION DEVICE

ASME STUDENT DESIGN COMPETITION 2013

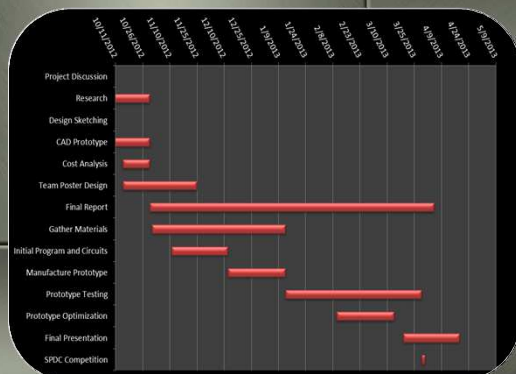
Problem Statement

To design, test, and build a remotely-controlled vehicle for inspection of areas affected by a nuclear disaster.

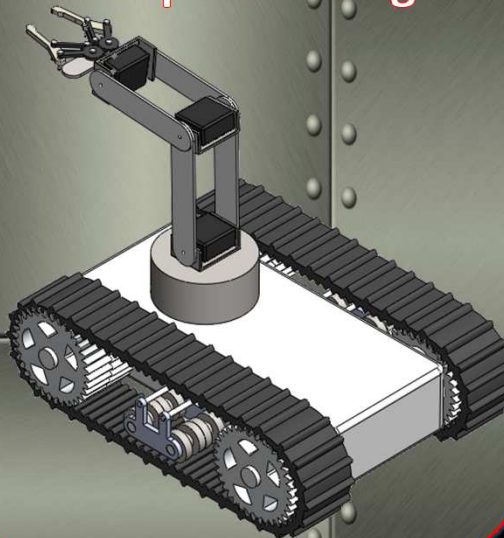
Motivation

- Development of innovative ideas to improve the quality of life for all
- Represent FIU in a National Competition
- Apply theoretical knowledge to reach a practical goal

Project Timeline



Conceptual Design



Vehicle Requirements

- Powered by rechargeable batteries
- Wirelessly controlled
- Camera to relay video feed to operator
- Robotic arm to pick up sensor
- Readily accessible master shut-off switch

Competition Overview

- Navigate around obstacles
- Push a button
- Pick up and drop off a sensor
- Return to starting position
- Must complete under 5 minutes

Team Members



Marybel Hernandez
Ryan Manalo
Juan Sebastian Fajardo



Melissa Morris
Graduate Student Advisor